

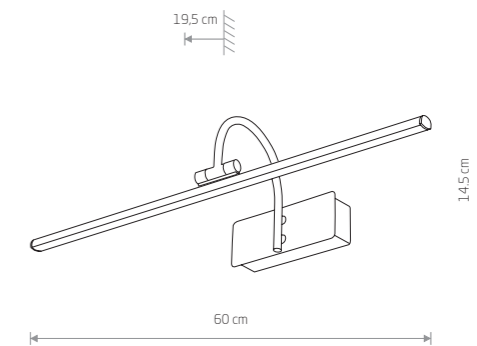
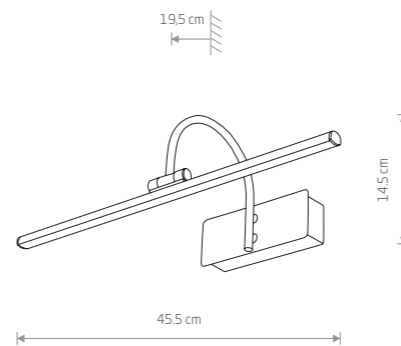
**REMBRANT LED M**  
brass plated steel

8166



**REMBRANT LED L**  
brass plated steel

8167



**GIOTTO LED S**  
brass plated steel

8168



**GIOTTO LED M**  
brass plated steel

8170



| Item No. | Power   | Colour temp. | Luminous flux | Beam angle | Colour Rendering Index (CRI) | Input                | Safety type | Power factor | Ingress protection | Lifetime |
|----------|---------|--------------|---------------|------------|------------------------------|----------------------|-------------|--------------|--------------------|----------|
| 8166     | 9W LED  | 3000K        | 600 lm        | 120°       | ≥80                          | ~220-230 V, 50/60 Hz | ⊕           | >0,5         | IP20               | 30000h   |
| 8167     | 13W LED | 3000K        | 900 lm        | 120°       | ≥80                          | ~220-230 V, 50/60 Hz | ⊕           | >0,5         | IP20               | 30000h   |

| Item No. | Power   | Colour temp. | Luminous flux | Beam angle | Colour Rendering Index (CRI) | Input                | Safety type | Power factor | Ingress protection | Lifetime |
|----------|---------|--------------|---------------|------------|------------------------------|----------------------|-------------|--------------|--------------------|----------|
| 8168     | 9W LED  | 3000K        | 600 lm        | 120°       | ≥80                          | ~220-230 V, 50/60 Hz | ⊕           | >0,5         | IP20               | 30000h   |
| 8170     | 13W LED | 3000K        | 900 lm        | 120°       | ≥80                          | ~220-230 V, 50/60 Hz | ⊕           | >0,5         | IP20               | 30000h   |