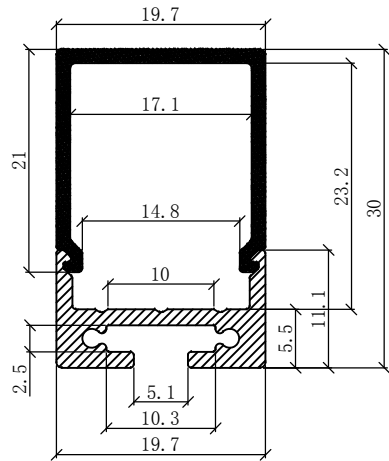
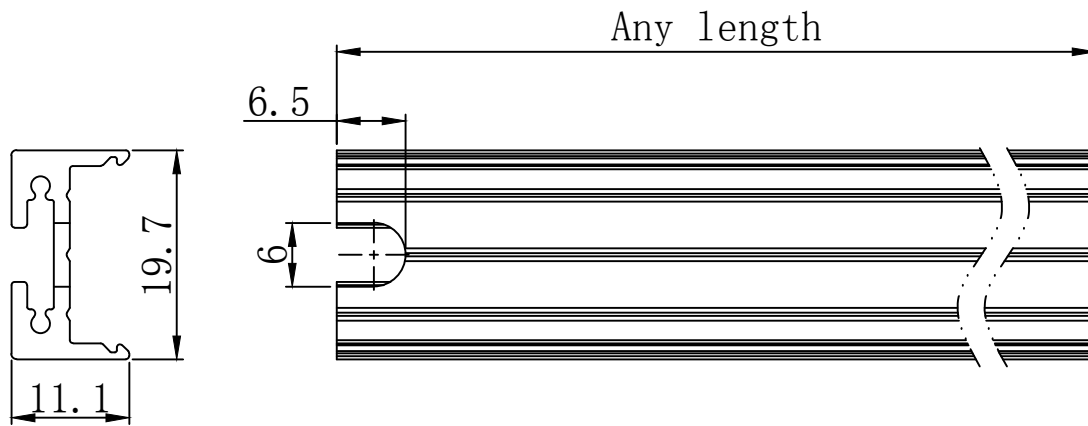


LS1911P(B) sectional view



LS1911P(B) recommended wire hole position of profile



LS1911P(B) assembling size

