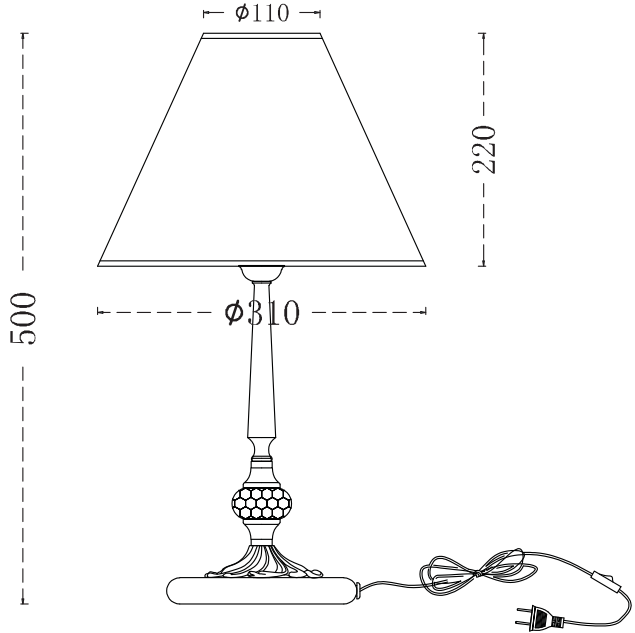
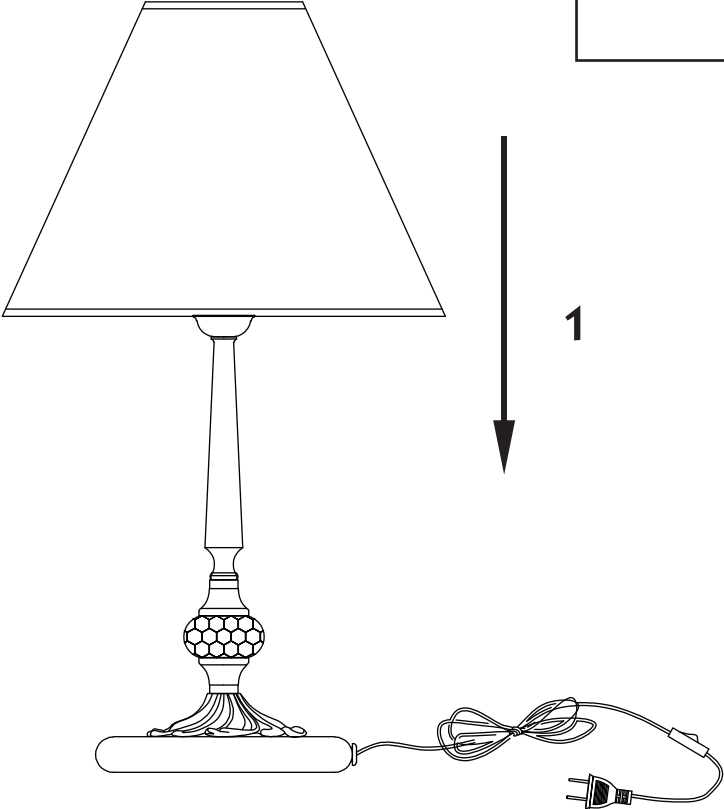



Instruction

Collection: Royal Classic
Series: Chester
Model: RC0100-TL-01-R
Mobile




1 x E14 (60w)

MAYTONI
DECORATIVE LIGHTING

www.maytoni.de